

POWER YOUR FUTURE

Weichai Generator
LG180WP

WP10D238E200

Prime Power: 184KW/230KVA

Standby Power: 202.4KW/253KVA



GENERATING POWER SOLUTIONS

Increased availability for new operations

Reliable, robust and versatile generator.
Ready to deliver power for a next job.

Increased uptime during operations

Once installed on the end-user-site, the generator will be ready to run: "peace of mind" operation.

Reduced transport and installation costs

The compact and robust design with integrated transport features enables faster and safer transport and installation.

Reduced service & maintenance costs

Longer service intervals.
Quicker and more efficient service jobs.

Premium resale value

Designed and built to last.

SAFETY

- Operate safely in accordance with proper operation manual.
- To prevent trouble and accidents, perform daily and preventive maintenance checks without fail.

WEICHAI Series

20KVA--600KVA



LONGKAI

FUAN LONGKAI POWER CO.,LTD.

Headquarters:

Add: Wei 5 Road, Tiehu Industrial Zone, Fuan, Fujian, China

Tel: +86-0593-6309773 Fax: +86-0593-6586988

E-mail: sales@longkaipower.com

Web: www.longkaipower.com

Technical Data

LG180WP

Model		LG180WP
Rated prime power	kva	230
Rated standard power	kva	253
Rated voltage line to line	V	400/230
Rated current	A	332
Maximun sound level	dB(@7m)	96

Engine-Weichai		WP10D238E200
Model		WP10D238E200
Aspiration		Turbocharged and aftercooled
Fuel system		mechanical pump
No. cylinders		6 in line
Displacement	Liquid	9.7
Bore*Stroke	mm	126*130
Compression ratio		17:01
Rated speed	r/min	1500
Rated net power(with fan)	Kw	216
Governor type		Electrical
Start Motor	V	24

Exhaust System		
Exhaust gas flow	litre/sec	1084
Exhaust gas temp	°C	600
Max back pressure	kPa	6±0.5

Aspiration System		
Max inlet pressure	kPa	≤3.5
Combustion volume	kPa	/
Air flow	litre/sec	1047

Fuel System		
100% load(Prime power)	L/h	46.0
75% load(Prime power)	L/h	/
50% load(Prime power)	L/h	/
Fuel tank capacity	L	480

Lubrication System		
Oil capacity	L	24
Oil consumption	g/kwh	0.2
Oil pressure	kPa	300-550
(continuous operation)		

Cooling System		
Coolant capacity	L	22
Thermostat operation range	°C	71-82
Max water temperature	°C	98

Alternator		
Model	LONGKAI	LK274J
	STAMFORD	UCI274J
Phase		3
Voltage	V	400/230
Wiring Type		3 Phase 4 wire, Y type
Bearing		1
Power factor		0.8
Frequency	Hz	50
Prime power	KW	184
Exciter Type		Brushless, self-excitation
Voltage regulation	%	±0.5
Protection Grade		IP 23
Insulation grade		H/H
Altitude	m	≤1000

Controller-DEEPSEA	
Model	DSE6120MK3

Protective functions:

- Low oil pressure
- High water temperature
- High/low voltage
- High Engine Temperature and Overspeed.
- Voltage regulator frequency regulator
- Emergency stop
- Start failure



Control Module Options



- Auto generator control module
- Control module with "Three Remote Control" functions
- ATS auto load transfer screen
- Synchronising control modules
- Power output cabinet



Standard Features

- Engine(WEICHAH GROUP)
- Radiator 50°C max,fans are driven by bel
- 24V charge alternator
- Alternator: single bearing alternator IP23, insulation class H/H
- Standard auto control system
- One set of air filter, fuel filter, oil filter
- Main line circuit breaker/MCCB
- Base fuel tank
- Two 24V batteries, rac and cable
- Exhaust system(Ripple flex exhaust pipe, exhaust siphon, flange, muffler)
- User manual

Options

- Battery charge
- Engine heater
- Alternator heater
- PMG
- Water oil separator
- Daily fuel tank
- Remote control panel
- Automatic transfer switch/ATS
- Switch box
- Standard: ● Options:○

Warranty*

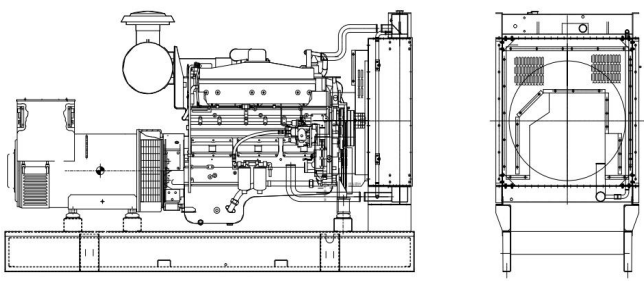
Weichai Engine

12 months from date of purchase and 1000 hours.

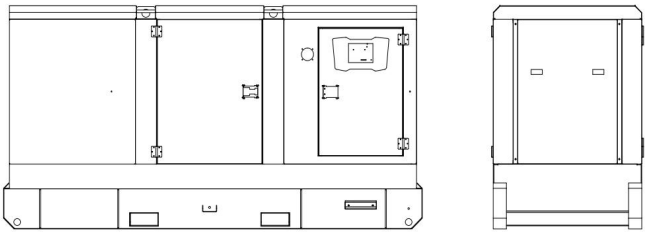
Generator

12 months from date of purchase or 1000 hours (whichever occurs first).

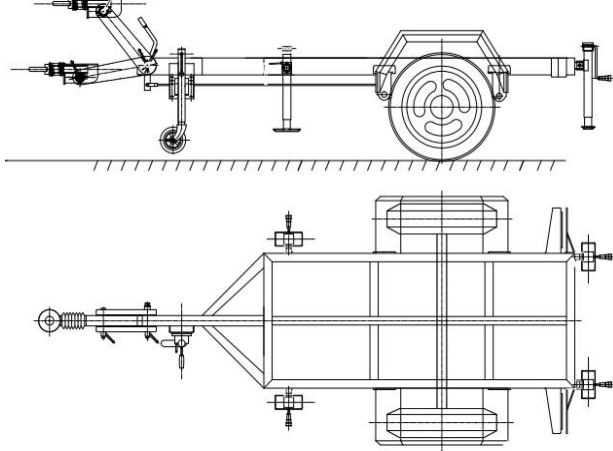
Unit Dimensions(Basic unit)



Open Type		
L*W*H	mm	2850*1040*1580
Weight	kg	1850



Silent Type		
L*W*H	mm	3820*1280*1900
Weight	kg	2900



Trailer Option		
L*W*H	mm	4900*2100*950
Max loading Weight	kg	3300



Manufacturer reserves the right to make changes in model, technical specification, color, equipment and accessories without notice.